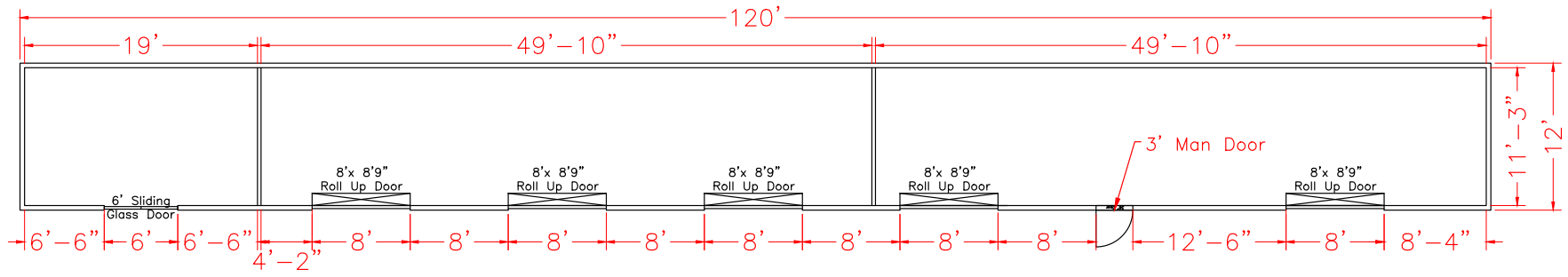


12' x 120' Warehouse
 8'-10' Eave Height Monoslope



REVISIONS	
DATE	DESCRIPTION
07/27/20	Created Drawing

PROJECT TITLE:	5885 Transit Road	PAGE 4
CLIENT:	5885 Transit Road	
LOCATION:	5885 Transit Road	
PAGE TITLE:	Warehouse #3 12'x120'	

6957 SPEEDWAY BLVD. SUITE 106
 LAS VEGAS, NEVADA 89115
 PHONE: 323-379-5840
 EMAIL: SALES@IRMARFER.COM
 WWW.IRMARFER.COM
 WWW.TWOSTORYTENTS.COM



IRMARFER
STRUCTURES US



HANK PARKER'S
EVENT SERVICES

The information contained in this document is the sole property of Irmarfer Structures US and Hank Parker's Event Services. It is to be used for the specific project and location only. Any reproduction or modification of this document or its contents without the written permission of Irmarfer Structures US and Hank Parker's Event Services is strictly prohibited.